



Total Solution Provider in Saw Device

SA70KF

70.0 MHz IF SAW Filter
9.32 MHz Bandwidth
Revision 1: 29. Oct. 2007



- Electrical Characteristics
 - Package Dimensions
 - Testing Environment
-

SAWNICS Inc.

460 Cheonheung-ri, Seonggeo-eup, Cheonan-si, Chungcheongnam-do, 330-836 / Korea.
Tel: +82 41 550 9372 / Fax: +82 41 550 9399 / www.sawnics.com

□ Electrical Characteristics

Maximum Ratings

Parameters Description	Unit	Minimum	Typical	Maximum
Operation Temperature Range	°C	-30	-	80
Storage Temperature Range	°C	-40	-	85
Maximum DC Voltage	V	-	-	10
Maximum Input Power	dBm	-	-	10
Source Impedance (single ended) ⁽¹⁾	Ω	-	50	-
Load Impedance (single ended) ⁽¹⁾	Ω	-	50	-
Package type&size	F			
Length x Width	mm ²	-	34.7x 12.6	-
Height	mm	-	-	5.05

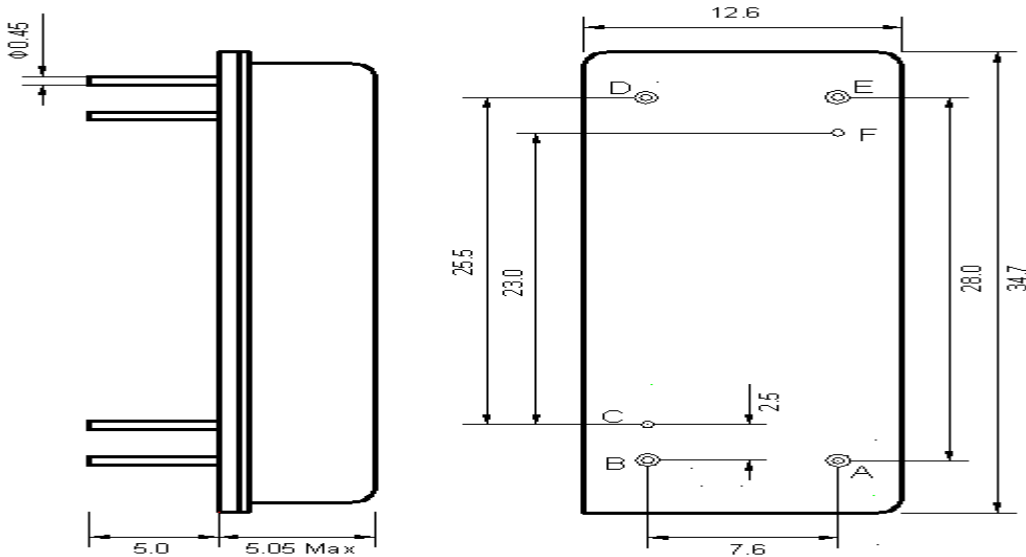
Electrical Specification

Parameters Description	Unit	Minimum	Typical	Maximum
Center Frequency (Fo)	MHz	69.92	70.00	70.08
Insertion Loss at Fo	dB	-	28.5	30.0
Group Delay Variation	nsec	-	70	150
Absolute Delay at Fo	usec	-	4.40	-
Passband Ripple Variation	dB	-	0.65	1.0
Bandwidth at -1dB	MHz	9.25	9.32	-
Bandwidth at -3dB	MHz	9.45	9.52	-
Bandwidth at -40dB	MHz	-	10.28	10.35
Bandwidth at -50dB	MHz	-	10.35	10.40
Ultimate Rejection	dB	50	55	-
Temperature Coefficient	ppm/°C	-	-72	-

Notes : (1) With Matching Network (Ref. Testing Environment Circuit as shown below).

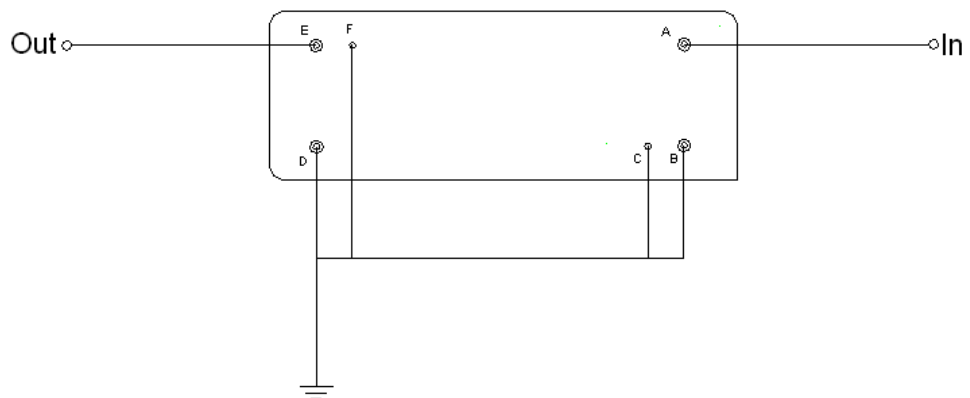
Those impedances could be modified with different impedance values and/or structures, if necessary.

Package Dimensions



Pin Description	
B, C, D, F	Ground
A	Input
E	Output

Testing Environment



No Matching Required
Source/Load Impedance = 50 Ω